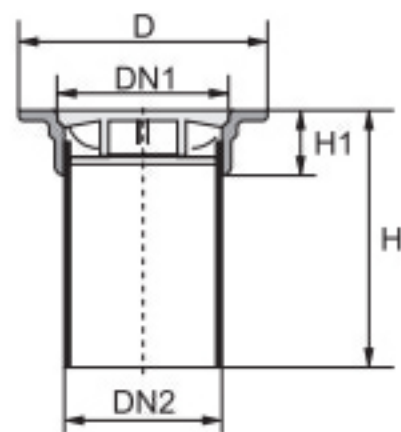
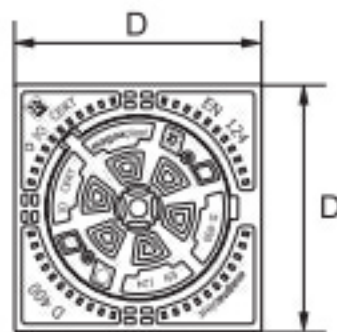


TELESCOPIC COVER

TELESCOPE PIPE WITH CAST IRON COVER



	D [mm]	DN1 [mm]	DN2 [mm]	H [mm]	H1 [mm]	Product no.
A15 - 1.5 t cover without ventilation	342	310	295	475	50	666450
B125 - 12.5 t cover without ventilation	342	255	295	495	90	666400
D400 - 40 t cover without ventilation	342	255	295	495	90	666420
B125 - 12.5 t cover with ventilation	342	255	295	495	90	666410
D400 - 40 t cover with ventilation	342	255	295	495	90	666430